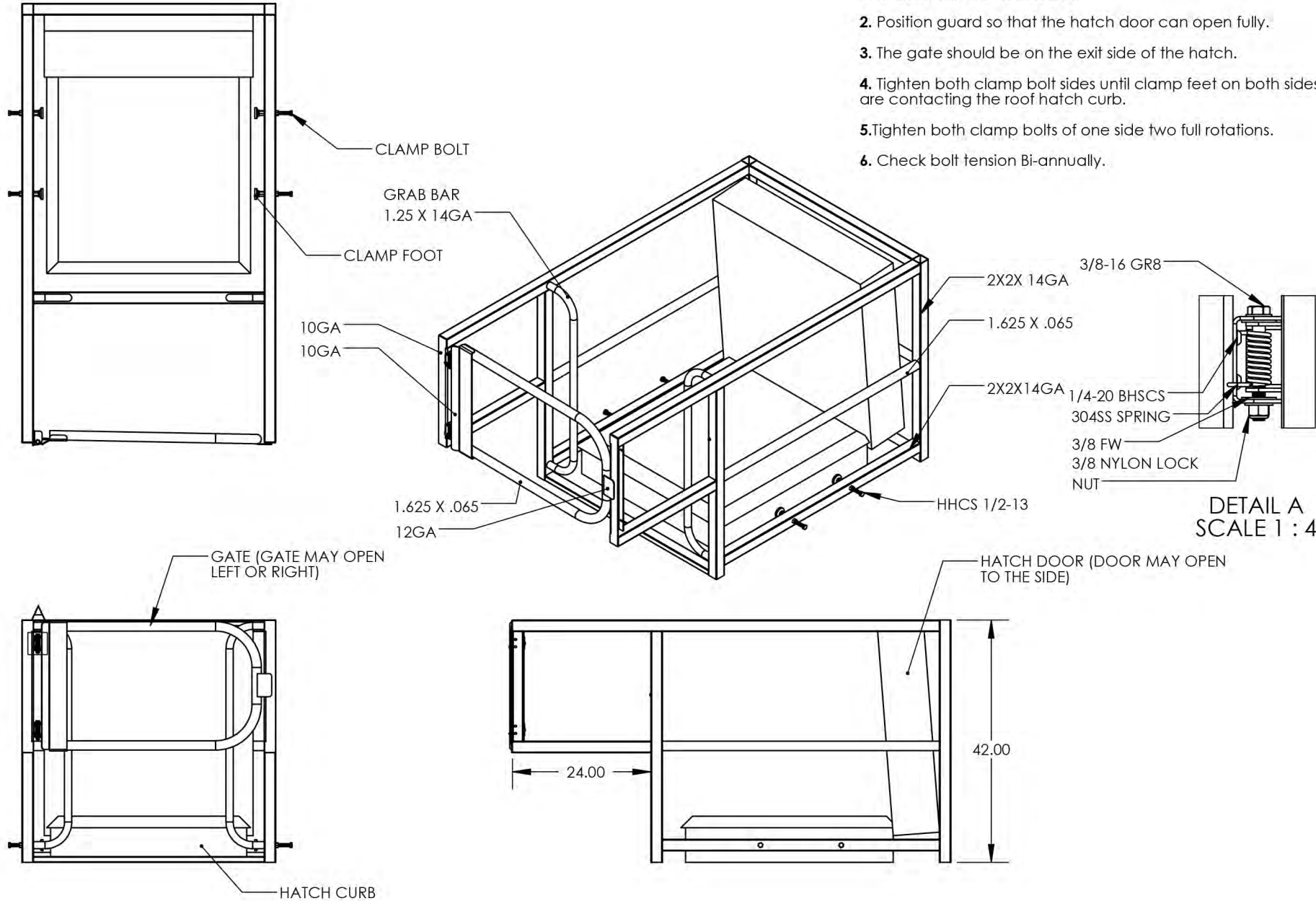
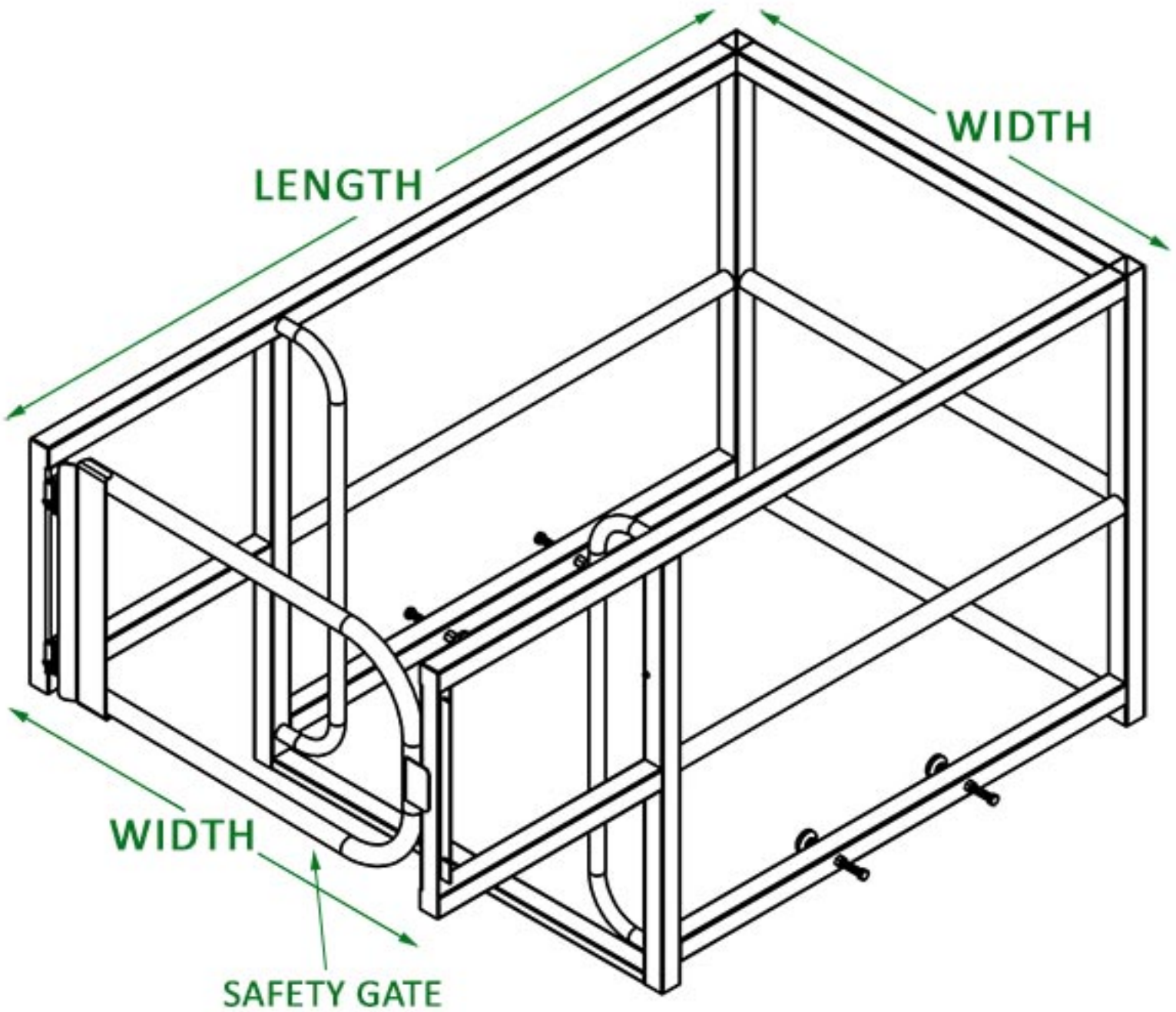
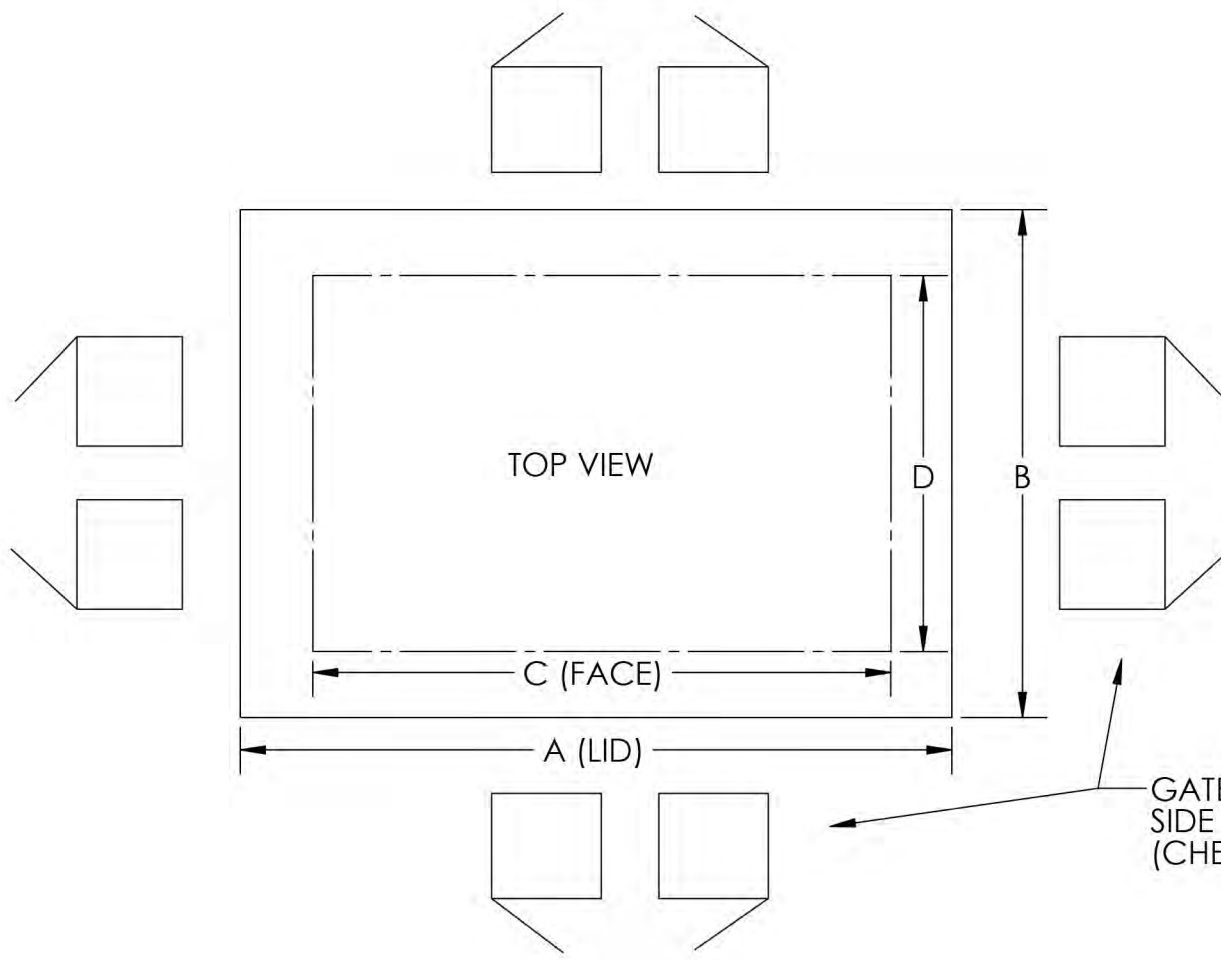


INSTALLATION STEPS:

1. Lower hatch guard over roof hatch (removal of clamp feet and bolts may be necessary).
2. Position guard so that the hatch door can open fully.
3. The gate should be on the exit side of the hatch.
4. Tighten both clamp bolt sides until clamp feet on both sides are contacting the roof hatch curb.
5. Tighten both clamp bolts of one side two full rotations.
6. Check bolt tension Bi-annually.







A: _____

B: _____

C: _____

D: _____

CH: _____

FH: _____

LH: _____

FINISH: CHECK BOX

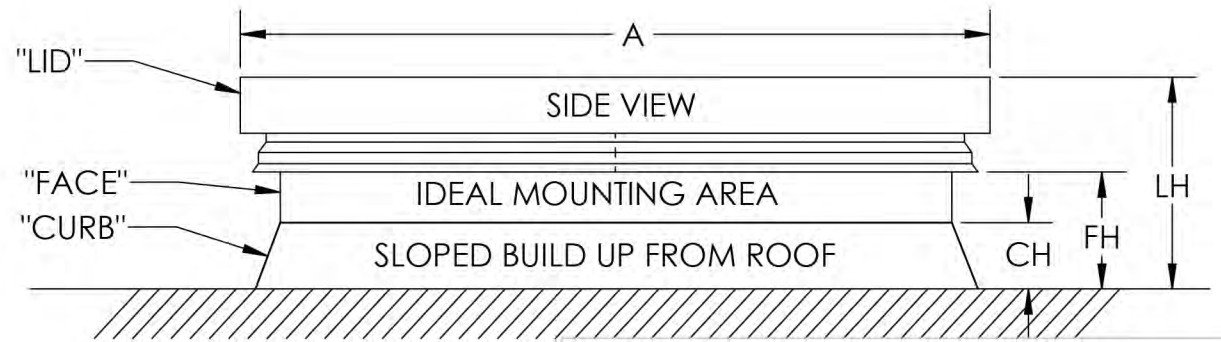
- GALVANIZED
- POWDER COAT

NOTE ANY OBSTRUCTIONS

GATE OPENING
SIDE AND DIRECTION
(CHECK ONE BOX)

NOTE:
HATCH GUARD FEET CONTACT
THE HATCH ON THE "FACE" ABOVE
THE "CURB" AND UNDER THE "LID"

SO THE AREA BETWEEN CH AND FH
IS WHERE THE CLAMPING FEET CAN
CONTACT THE HATCH



TITLE:

MEASURING FOR A HATCH GUARD