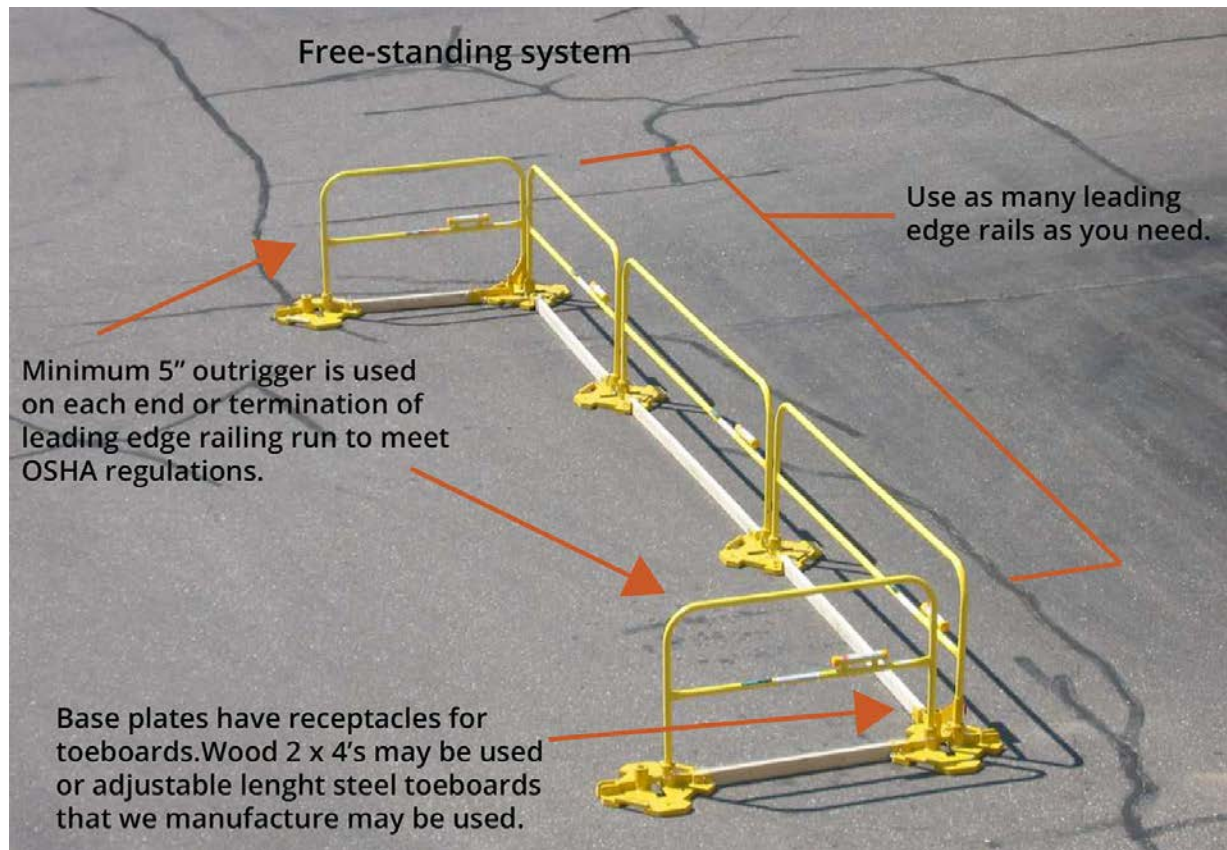




# Steel Non-penetrating Guardrails

## SETUP INSTRUCTIONS



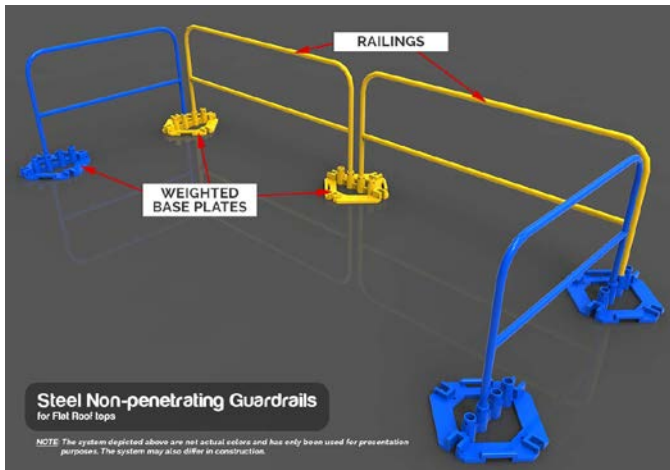
*(click to enlarge)*

Our **Steel Non-penetrating Guardrail System** enables fall protection without penetrating the floor and roof surface. When properly applied the counterweight system provides an OSHA compliant fall prevention system for the roof edge, skylight, hatch, loading dock, mezzanine, elevated platform, and construction site safety.

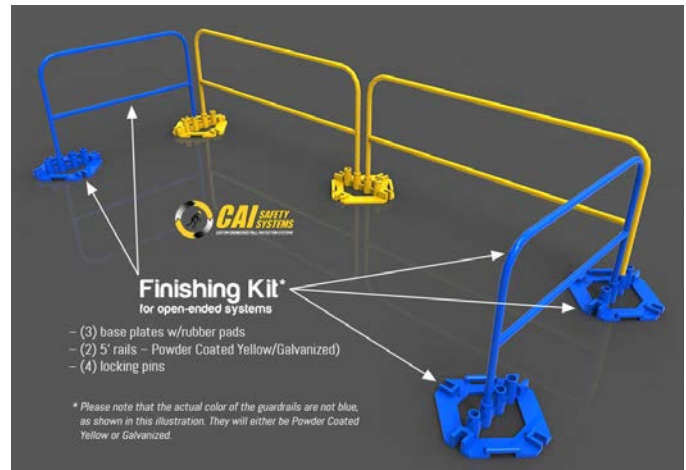
It is designed to be a Motion Stopping Safety System thereby acting as a barrier between the worker and a fall hazard. This system will comply with all Federal OSHA standards found in 1926.500-503 and 1910.23.

[LINK TO INFO & PRICING](#)

# Components & Correct Usage



(click to enlarge)



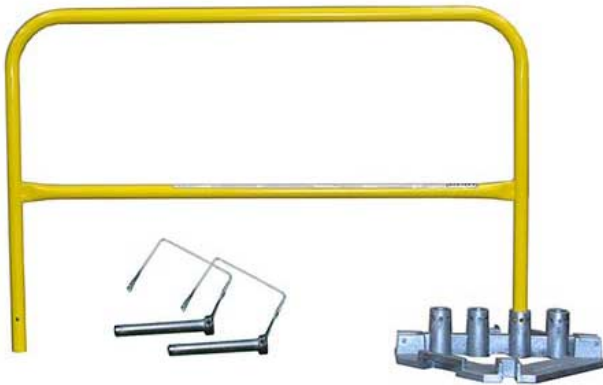
(click to enlarge)

- **Base Plates must be placed at a maximum required distance of 8 feet (96 inches or 2.43 meters) or less.**
- System should only be used on flat surfaces not to exceed 1/2":12" pitch.
- Smooth surfaces such as metal or concrete must utilize rubber pads on the bottom of the base plate.
- Remove all loose gravel and/or materials in vicinity of railing system. Bases must be placed on sound substrate.
- Railings must be pinned into the base plate at all times.
- Top Rail Height = 42" tall; Mid-Rail Height = 20" tall
- Standard rail section 16 ga. welded steel.
- Narrow 3-1/4" space between rails. Allows 90° or 45° turns.
- Toeboards should be used when imminent danger of kicking something onto someone below the railing system. Should be used for applications with no parapet.
- Meets OSHA Requirements 1910.29(b) and 1926.502(b).
- Finishing Kits (as shown above) are required at each Finishing End of your system to provide the needed counterbalance. One single run would require (1) finishing kit. If you plan to install separate multiple systems, each system set up would require (1) finishing kit.
- Toeboards are not included with the system and can be purchased separately in the 'Accessories' tab of the [product page](#).

# Selections Explained

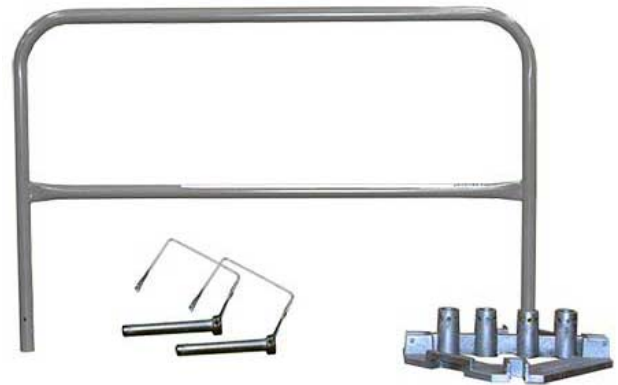
To help you make the right choices, we have compiled below an explanation for how you can select parts and configure your system. You can calculate options and pricing at this [link](#).

## STEP 1 – CHOOSE A FINISH



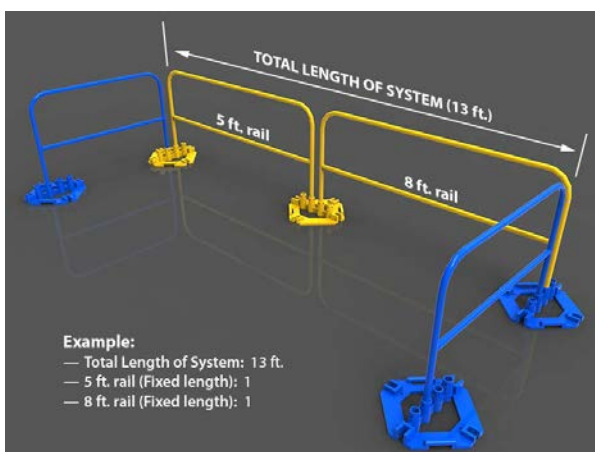
### Powder Coated Safety Yellow

*Each rail is equipped with (1) double mount and (2) locking pins*



### Galvanized

*Each rail is equipped with (1) double mount and (2) locking pins*



*(click to enlarge)*

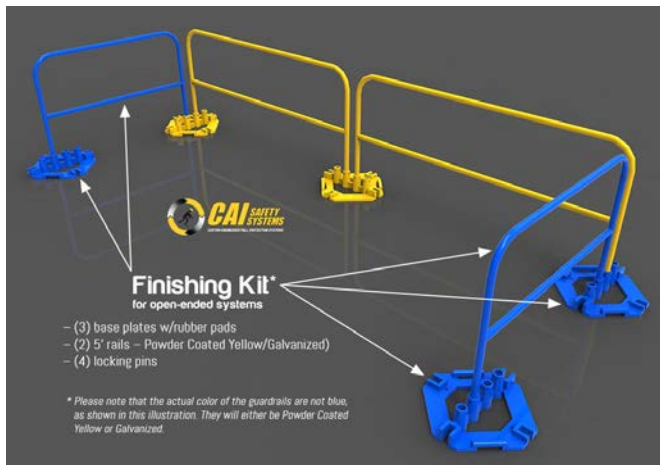
## STEP 2 – CHOOSE NUMBER OF RAILS

- Calculate the Total Length of System (in ft.)
- Decide how many rails and length of rails you require to cover the total span of your system from start to end (refer to pic on the left)  
**TIP:** use 10ft. sections for as much as possible
- Into the boxes provided, enter the total number of rails required as per rail lengths decided.
- Fixed & Adjustable rail lengths provided.

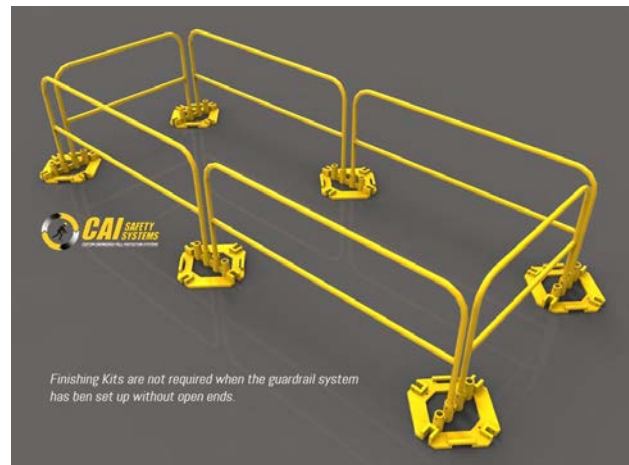
## STEP 3 – CHOOSE FINISHING KIT(S)

If the guardrail system is going to have an open end, **you must install** an outrigger at each open end to be OSHA compliant. The finishing kit shown below will provide you with the outriggers to close these open ends.

For a single run system with two open ends, you will need (1) finishing kit. Finishing kits are not required for closed loop systems such as squares or rectangles, see illustrations below →



*(click to enlarge)*



*(click to enlarge)*

- A finishing kit adds stability to the guardrail system at each end. This kit is required for every system that has open ends. Enter the value in the field based on the number of kits required.
- One finishing kit covers two ends of the guardrail system. The kit comprises of:
  - **(3)** Galvanized base plates w/rubber pads
  - **(2)** 5' rails (finish PCY/GAL based on choice)
  - **(4)** locking pins
- Finishing Kits are not required when the guardrail system has been set up without open ends.

**BUY INDIVIDUALLY**



**!! CAUTION !! This is a fall protection system. The system must be used in strict conformance with the manufacturer's instructions. Failure to do so may result in serious injury or death.**

## Need a Quote?

By providing some basic information we can provide you with a custom proposal. Pictures and sketches are very helpful and if you prefer to speak with a fall protection expert just call or send us an e-mail. Fill out our [Request a Quote](#) form to send us your information.



**Phone: (951) 465-7386**

**Websites:**

<https://caisafety.com>

**Email:**

[webstore@caisafety.com](mailto:webstore@caisafety.com)

## Some of our Clientele

