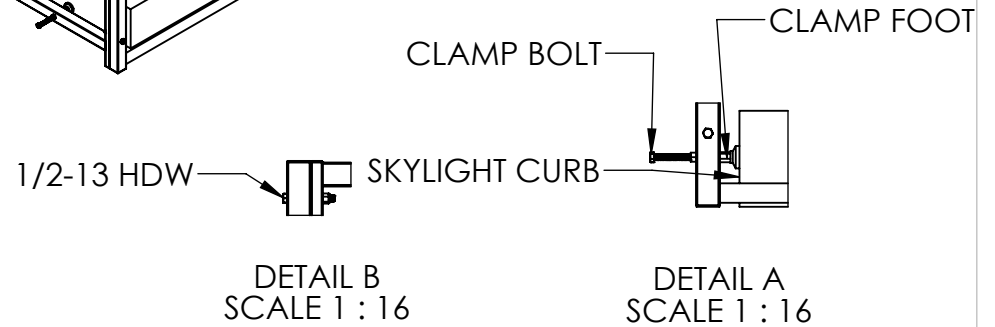
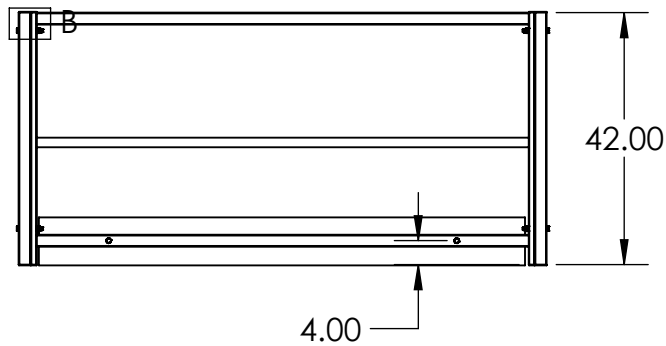
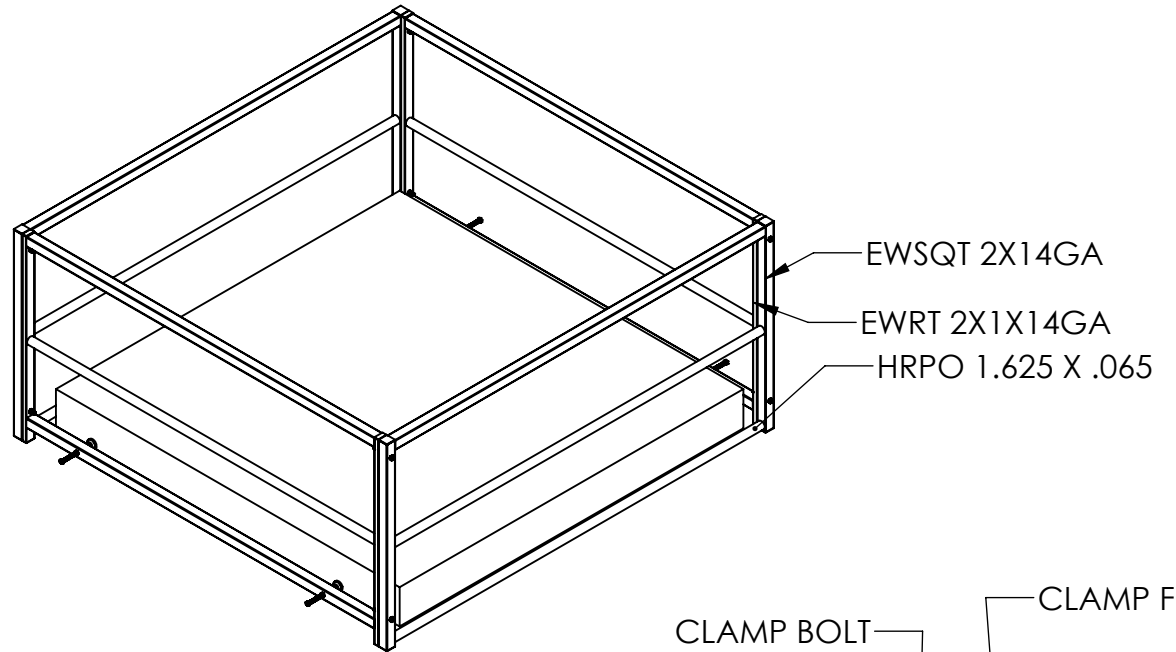
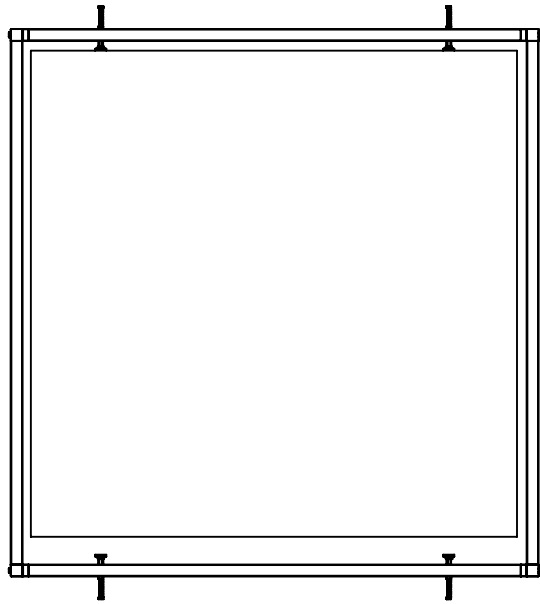


**INSTALLATION STEPS:**

1. Lower Skylight Guardrail over skylight (removal of clamp feet and bolts may be necessary).
2. Tighten both clamp bolt sides until clamp feet on both sides are contacting the skylight curb.
3. Tighten both clamp bolts of one side two full rotations.
4. Check bolt tension Bi-annually.



TITLE: Non-penetrating Skylight Guardrail INSTALL DIAGRAM		
SIZE <b>A</b>	DWG. NO.	REV
SCALE: 1:32	WEIGHT:	SHEET 1 OF 1