



LADDER GRAB BARS

for Elevated Ladderways, Safety Gates & Platform

PRODUCT LITERATURE

Ladder Grab Bars provides your work personnel with a stable grip when ascending or descending from an elevated ladder way. The Grab Bars provide horizontal grab bars for your fixed, step-through ladders.

Ladder Grab Bars are available in Powder Coat Safety Yellow, Hot-dip Galvanized, or Unfinished Mild Steel.



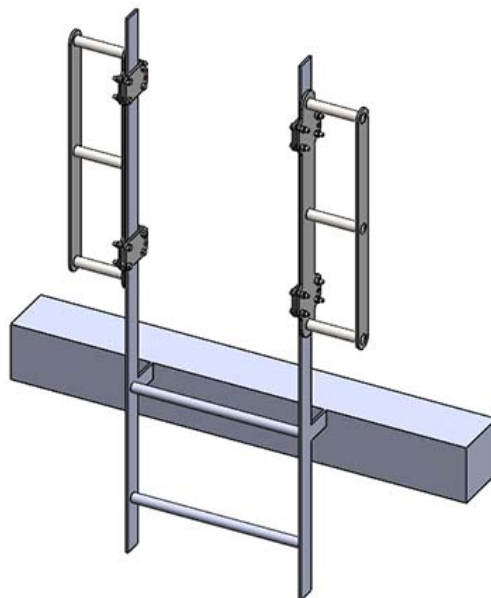
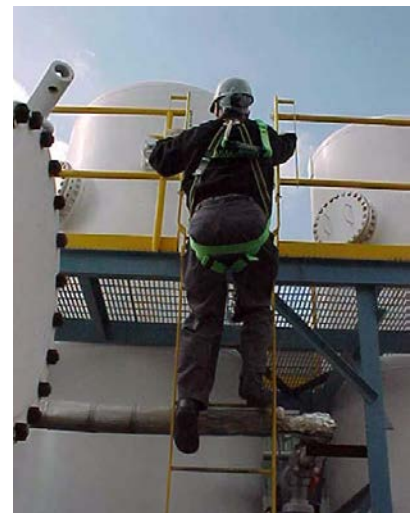
[LINK TO INFO & PRICING](#)

Product Features:

- Large ladder rung continuation grips for increased safety
- Finish: Unfinished raw steel or Powder Coat Safety Yellow
- Easily installed with only a few common tools.
- Available in Clamp-on or Weld-on Models
- Fits Ladder Rails Up to 3" Deep
- Includes all hardware for installation
- Bolts or welds on to fixed ladder, easily installed onto straight or flared ladder side rails
- Includes all hardware for installation
- Meets Army Corps of Engineers Reference – EM 385-1-1 (Appendix J). US Patent No. 6095283; 6347685; 6619428.

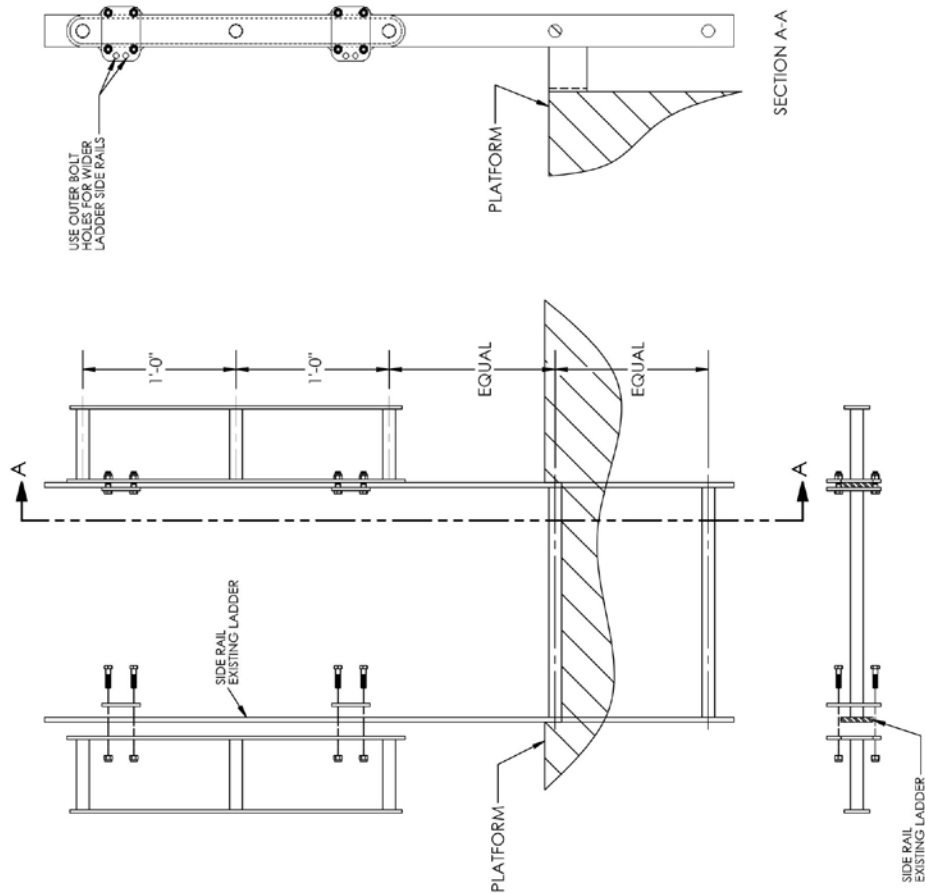
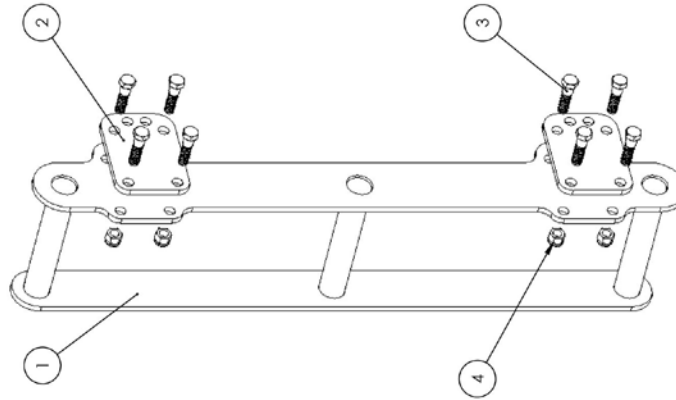
Models & Finishes

| SKU # | Mounting Type | Finish | Ship Wgt. |
|--------------|---------------|---------------------------|-----------|
| PSD-CLMP-PCY | Clamp-on | Powder Coat Safety Yellow | 33 lbs. |
| PSD-CLMP-SST | Clamp-on | Stainless Steel | 33 lbs. |
| PSD-CLMP-MLD | Clamp-on | Unfinished Mild Steel | 33 lbs. |
| PSD-WELD-PCY | Weld-on | Powder Coat Safety Yellow | 34 lbs. |
| PSD-WELD-SST | Weld-on | Stainless Steel | 34 lbs. |
| PSD-WELD-MLD | Weld-on | Unfinished Mild Steel | 34 lbs. |



"Clamp-On" Option Drawing

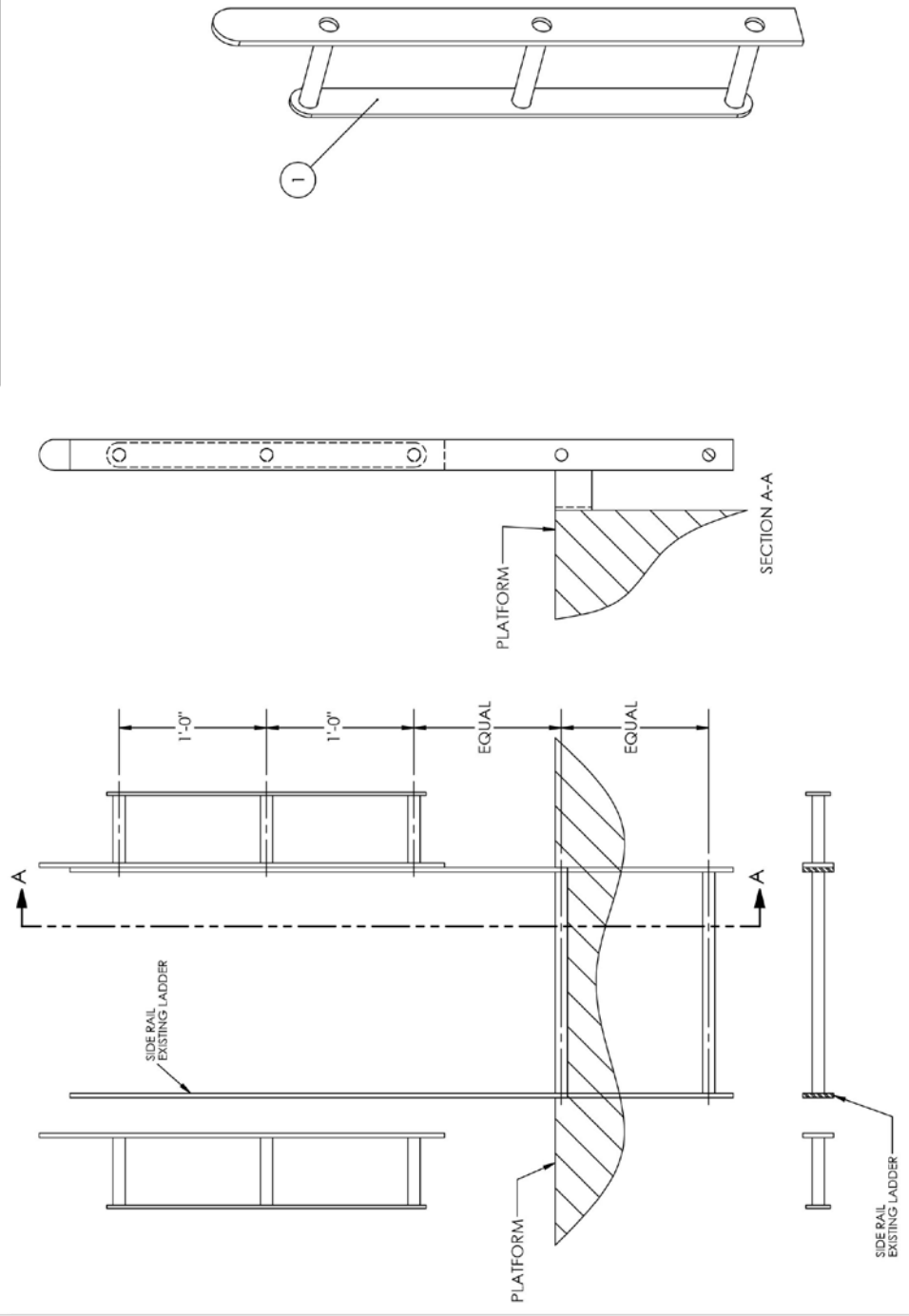
| ITEM NO. | PART NUMBER | DESCRIPTION | Qty |
|----------|-------------|------------------------------|-----|
| 1 | 500728 | GBS:Assy Bolt On Rung PCY | 2 |
| 2 | 502116 | GBS:Ladder Plate Back PCY | 4 |
| 3 | 500392 | 3/8"-1.6x1 1/2" Hex Bolt Gr8 | 16 |
| 4 | 501120 | Nut, Nylock-3/8" 1.6 Zn | 16 |



(click to enlarge)

“Weld-On” Option Drawing

| ITEM NO. | PART NUMBER | DESCRIPTION | QTY. |
|----------|-------------|---------------------------|------|
| 1 | 500730 | GBS: Assy Weld On Rung MS | 2 |



(click to enlarge)



!! CAUTION !! This is a fall protection system. The system must be used in strict conformance with the manufacturer's instructions. Failure to do so may result in serious injury or death.

Information Needed to Quote

By providing some basic information we can provide you with a custom proposal. Pictures and sketches are very helpful and if you prefer to speak with a fall protection expert just call or send us an e-mail. **Fill out our [Request a Quote](#) form to send us your information.**



Phone: (888) 246-6999

Website:

<https://caisafety.com>

Email:

info@caisafety.com

webstore@caisafety.com

Some of Our Clientele



BURNS & MCDONNELL



FLUOR

