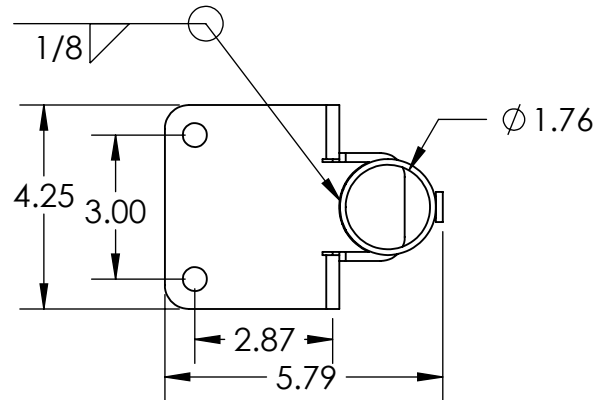
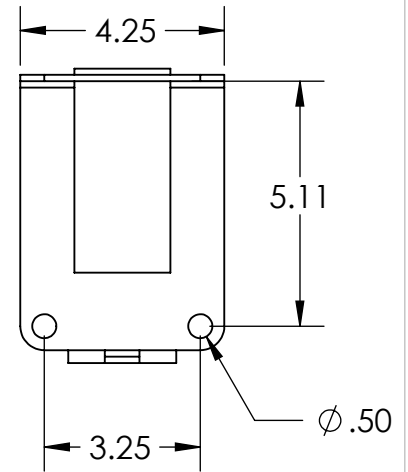
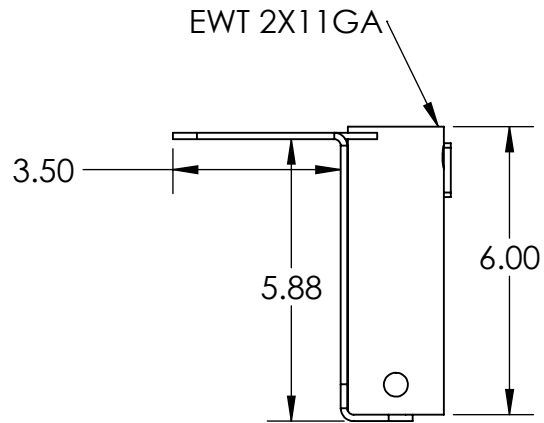
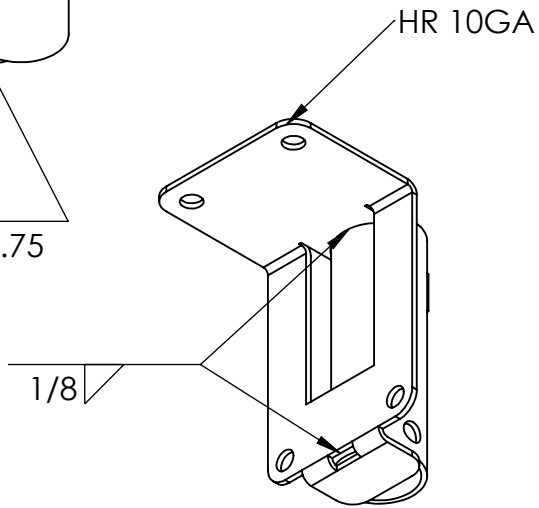
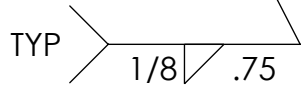
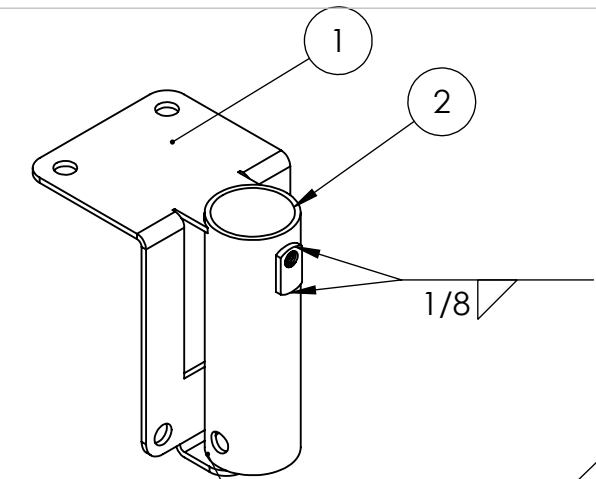


ITEM NO.	PART NUMBER	DESCRIPTION	QTY.
1	420073		1
2	420074	FACE MOUNT TUBE	1



		UNLESS OTHERWISE SPECIFIED:	NAME	DATE		
		DIMENSIONS ARE IN INCHES	DRAWN		TITLE:	
		TOLERANCES:	CHECKED			
		FRACTIONAL \pm	ENG APPR.			
		ANGULAR: MACH \pm BEND \pm	MFG APPR.			
		TWO PLACE DECIMAL \pm	Q.A.			
		THREE PLACE DECIMAL \pm	COMMENTS:			
		INTERPRET GEOMETRIC TOLERANCING PER:			SIZE DWG. NO.	
		MATERIAL			A 400055	REV
		FINISH				
		PCOAT AERO YELLOW				
		DO NOT SCALE DRAWING			SCALE: 1:4	WEIGHT:
						SHEET 1 OF 1