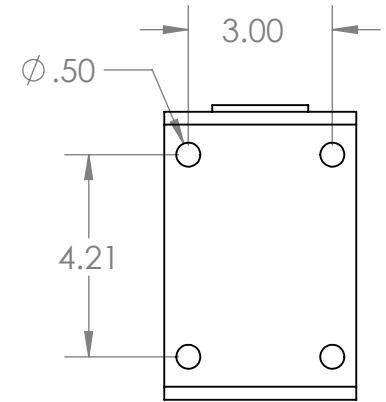
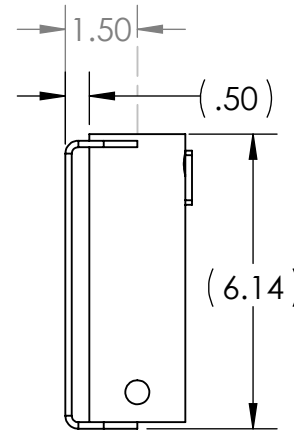
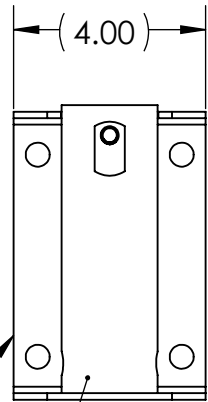
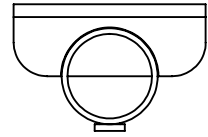
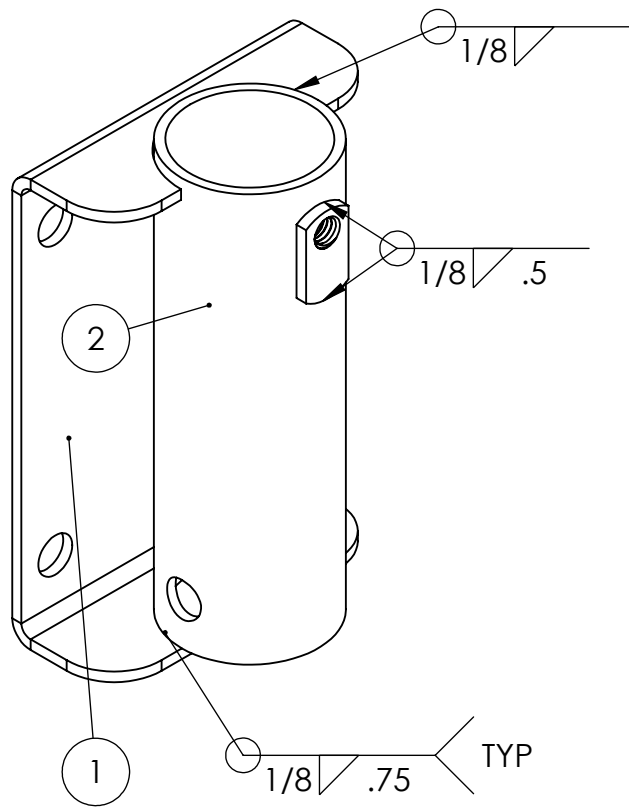
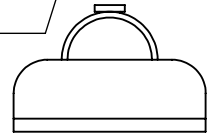


ITEM NO.	PART NUMBER	DESCRIPTION	QTY.
1	420059	FACE MOUNT SHEET SINGLE	1
2	420074	FACE MOUNT TUBE	1
3	100041	WELD NUT OFFSET 3/8-16	1



HR 10GA

EWT 2 X 11GA



		UNLESS OTHERWISE SPECIFIED:	NAME	DATE		
		DIMENSIONS ARE IN INCHES	DRAWN		TITLE:	
		TOLERANCES:	CHECKED			
		FRACTIONAL ±	ENG APPR.			
		ANGULAR: MACH ± BEND ±	MFG APPR.			
		TWO PLACE DECIMAL ±	Q.A.		SIZE DWG. NO. REV A 400036	
		THREE PLACE DECIMAL ±	COMMENTS:			
		INTERPRET GEOMETRIC TOLERANCING PER:				
		MATERIAL			SCALE: 1:2	WEIGHT:
		FINISH			SHEET 1 OF 1	
		PCOAT AERO YEL				
		DO NOT SCALE DRAWING				