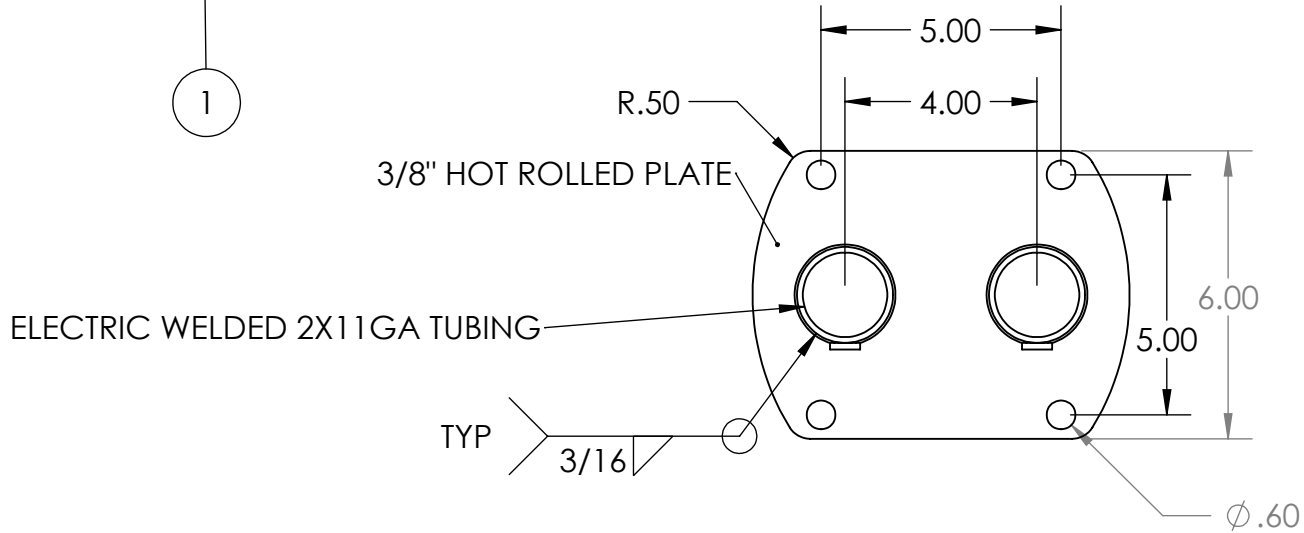
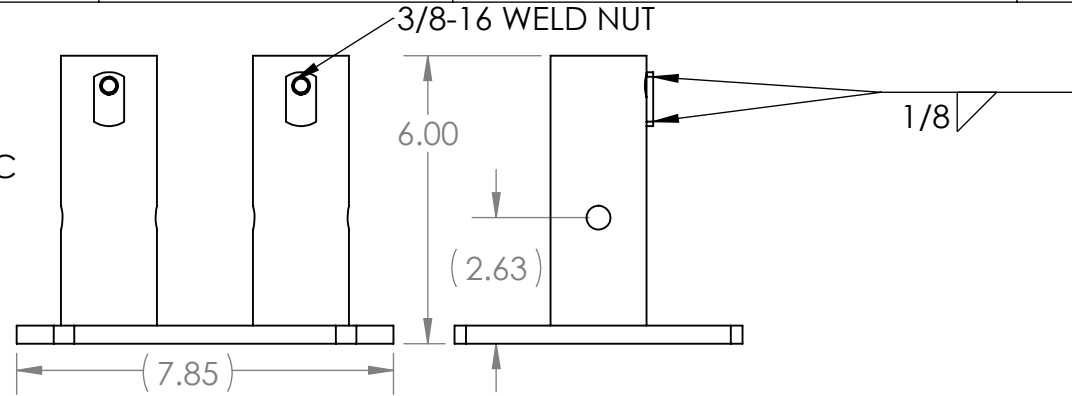
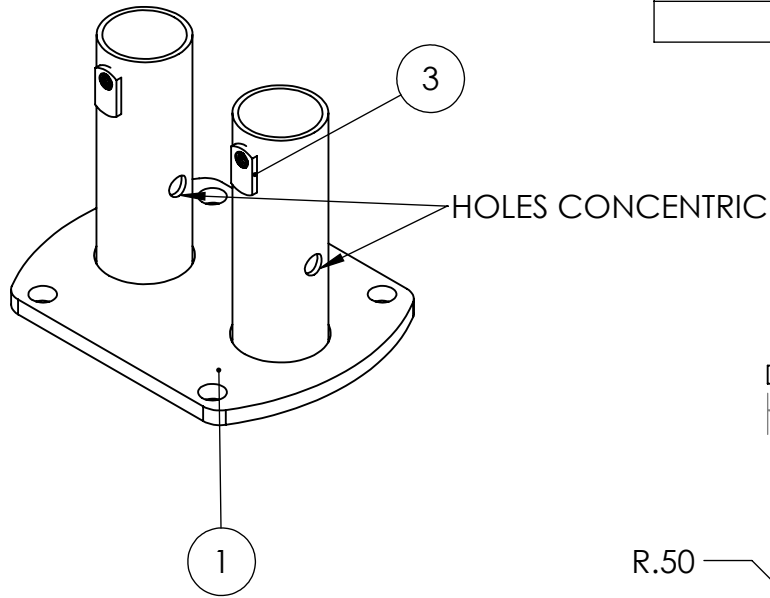


ITEM NO.	PART NUMBER	DESCRIPTION	QTY.
1	420054	PERMANENT DOUBLE PLATE	1
2	420055	PERMANENT MOUNT TUBE	2



		UNLESS OTHERWISE SPECIFIED:	NAME	DATE		
		DIMENSIONS ARE IN INCHES	DRAWN		TITLE:	
		TOLERANCES:	CHECKED			
		FRACTIONAL ±	ENG APPR.			
		ANGULAR: MACH ± BEND ±	MFG APPR.			
		TWO PLACE DECIMAL ±	Q.A.		SIZE DWG. NO. REV	
		THREE PLACE DECIMAL ±	COMMENTS:		<b>A</b> 400035 <b>A</b>	
		INTERPRET GEOMETRIC TOLERANCING PER:			SCALE: 1:4 WEIGHT: SHEET 1 OF 1	
		MATERIAL				
		FINISH				
		PCOAT AERO YEL				
		DO NOT SCALE DRAWING				