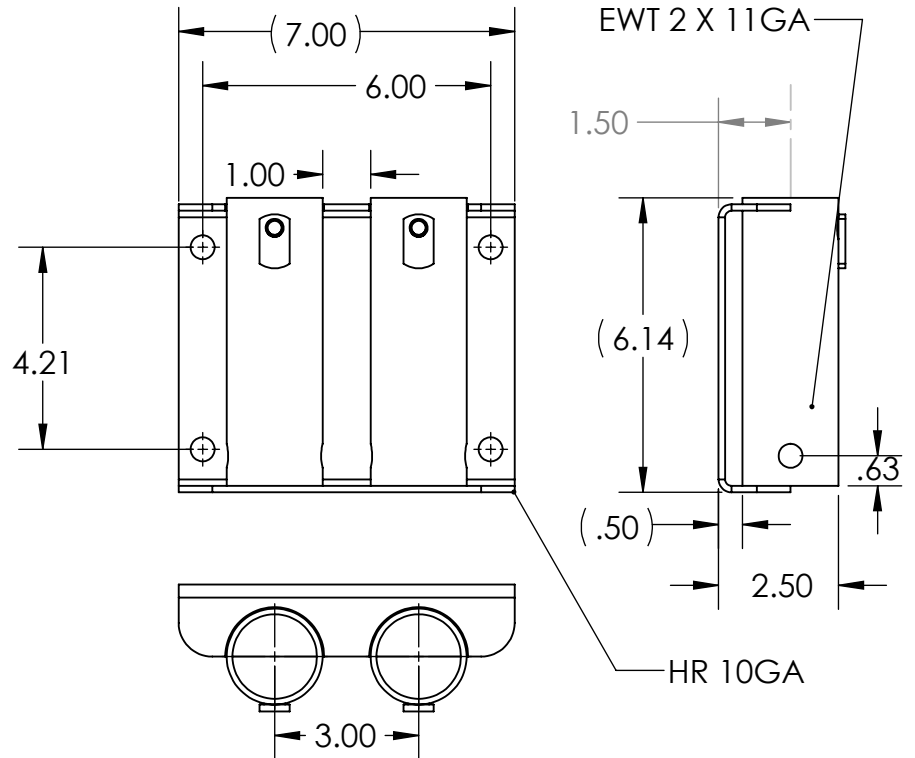
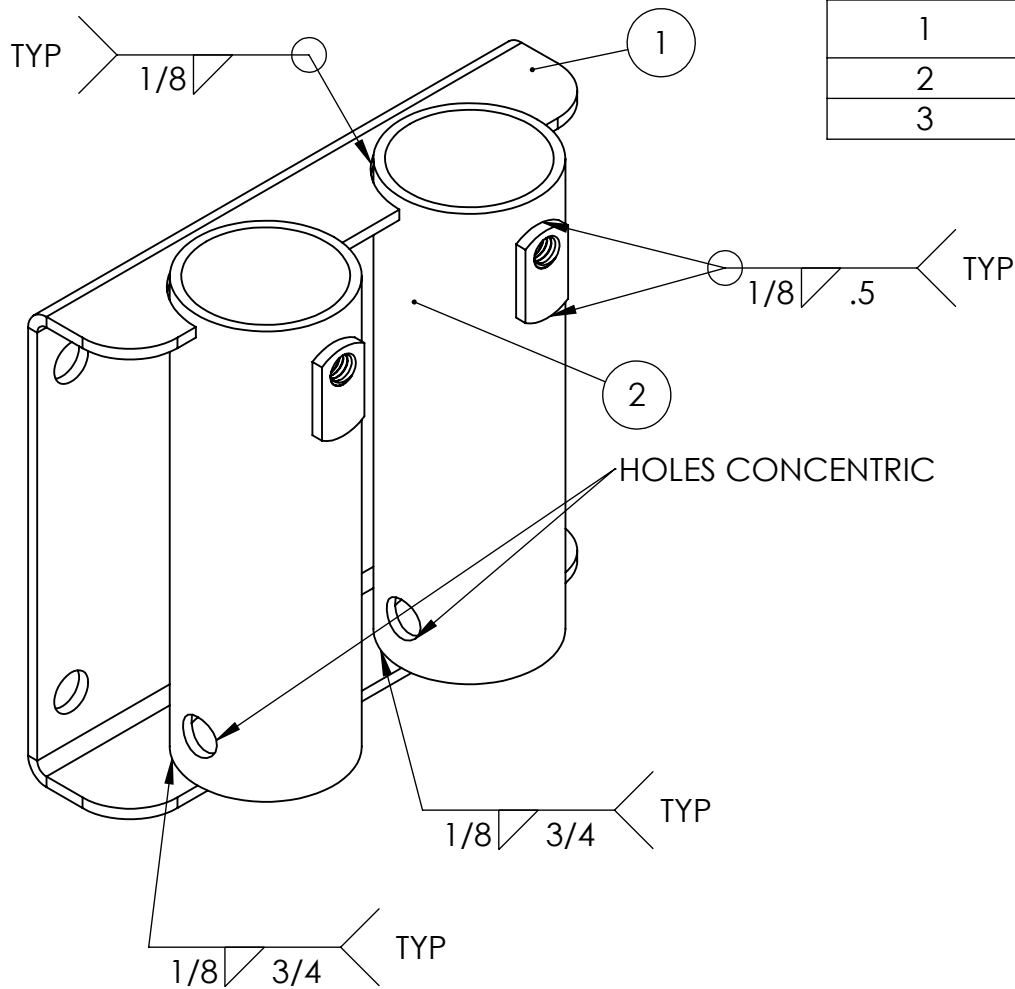


ITEM NO.	PART NUMBER	DESCRIPTION	QTY.
1	420043	FACE MOUNT DOUBLE SHEET	1
2	420074	FACE MOUNT TUBE	2
3	100041	WELD NUT OFFSET 3/8-16	2



		UNLESS OTHERWISE SPECIFIED:	NAME	DATE
		DIMENSIONS ARE IN INCHES	DRAWN	
		TOLERANCES:	CHECKED	
		FRACTIONAL ±	ENG APPR.	
		ANGULAR: MACH ± BEND ±	MFG APPR.	
		TWO PLACE DECIMAL ±	Q.A.	
		THREE PLACE DECIMAL ±	COMMENTS:	
		INTERPRET GEOMETRIC TOLERANCING PER:		
		MATERIAL		
		FINISH		
NEXT ASSY	USED ON	PCOAT AERO YEL		
APPLICATION		DO NOT SCALE DRAWING		

TITLE:		
<b>FACE MOUNT DOUBLE</b>		
SIZE	DWG. NO.	REV
<b>A</b>	<b>400016</b>	
SCALE: 1:4	WEIGHT:	SHEET 1 OF 1

5

4

3

2

1