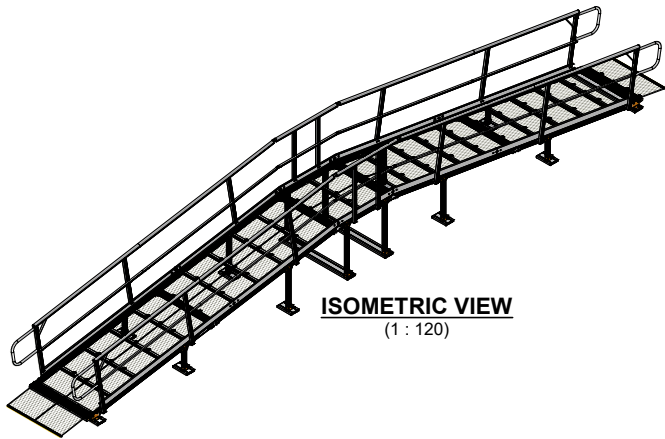
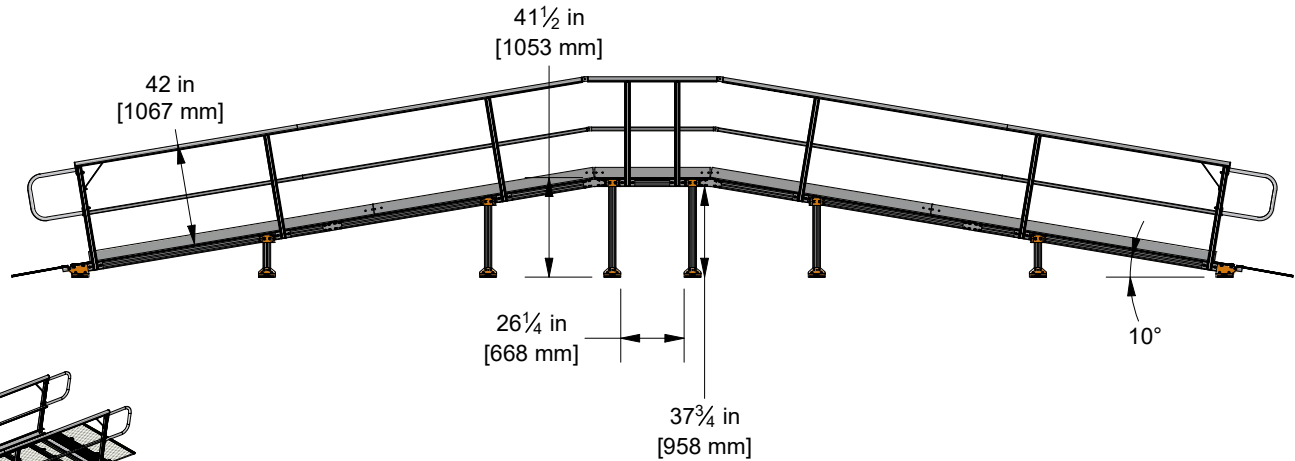
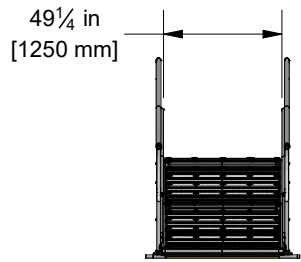
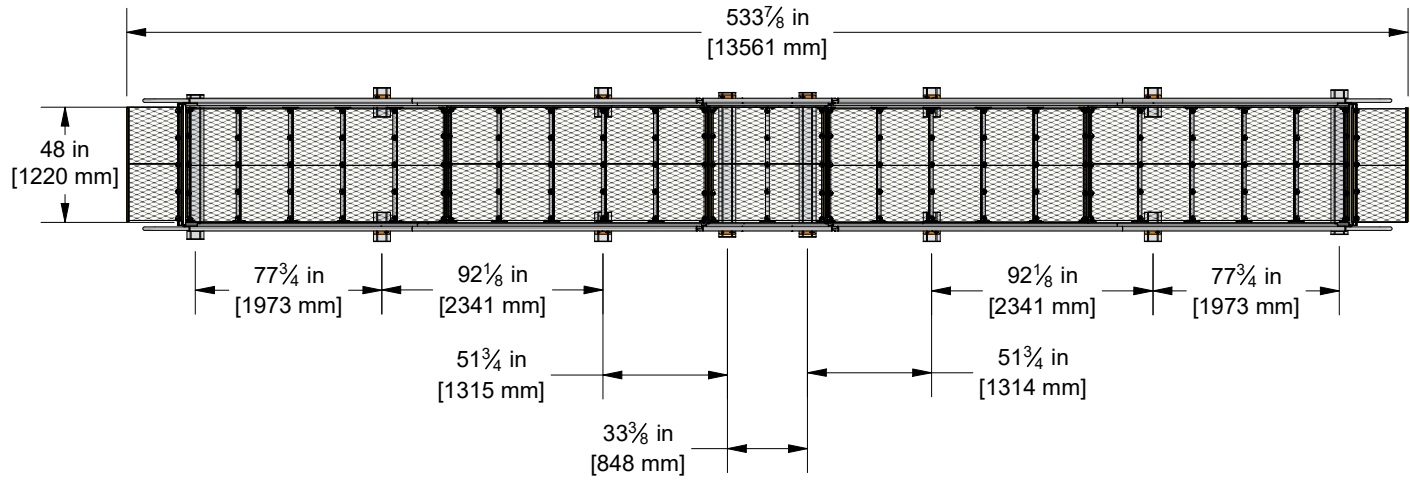


PROJECT REF: \_\_\_\_\_  
 CONTRACTOR: \_\_\_\_\_  
 APPROVED BY: \_\_\_\_\_  
 SIGN HERE: \_\_\_\_\_



Distributed by  
**CAI Safety Systems**



DESCRIPTION KOMBI Crossover Ramp with Guardrail - to clear 24in W x 36in H		PRODUCT CODE KBR1200.36GR	1 : 80	PAGE 1 OF 1
MATERIAL Aluminum	FINISH Mill Finish	DRN: ALD	DATE: 12/4/23	SIZE: A
		DWG No. KBR1200.36GR		REV.

REV	DATE	BY	COMMENTS
8			
7			