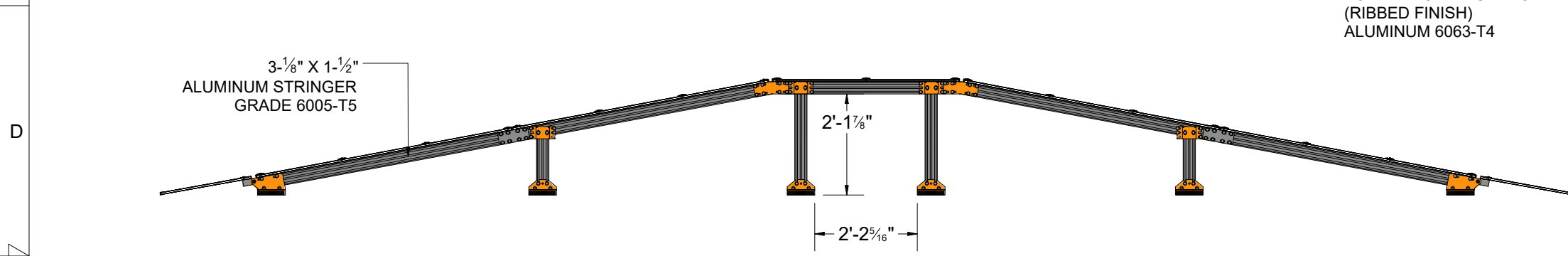
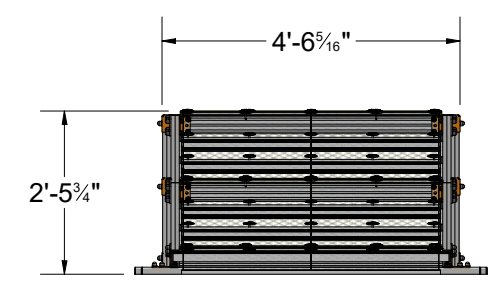


TOP VIEW

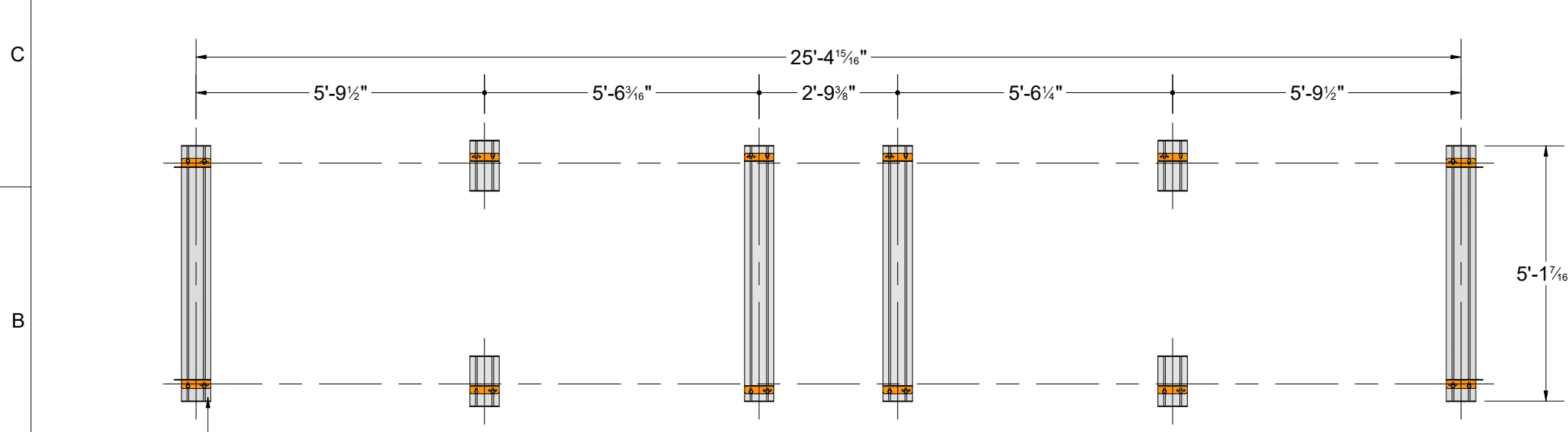
1/2" THK. MESH TO PLATFORM SURFACE (RIBBED FINISH) ALUMINUM 6063-T4



SIDE VIEW

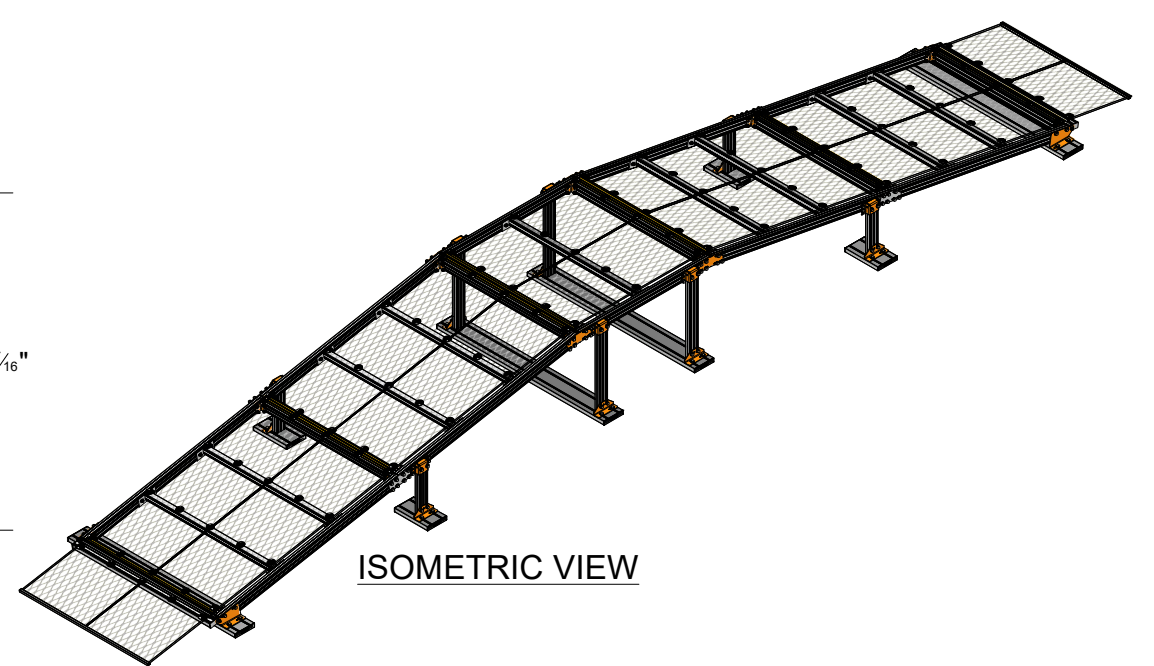


FRONT VIEW



FOOTING LAYOUT

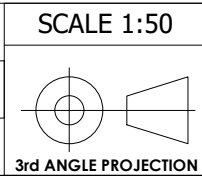
7-1/8" X 1-1/4" ALUMINUM BASE GRADE 6005-T5



ISOMETRIC VIEW

ALL DIMENSIONS IN FEET AND INCHES

DRN:	DATE:
LFP	06/21/2023
CHK:	DATE:
END	
APP:	DATE:
WJL	



SCALE 1:50	
DIMENSION TOLERANCES UNLESS NOTED OTHERWISE	
X	± 1mm
X.X	± 0.25mm
X.XX	± 0.1mm
ANGLE	± 1°

Distributed by  
**CAI Safety Systems**  
 **CAI SAFETY SYSTEMS**  
CUSTOM FALL PROTECTION SINCE 1997

DESCRIPTION		CROSSOVER RAMP	SHT #
MATERIAL		ALUMINUM	1/1
FINISH			SIZE
DWG No.		PRODUCT CODE	B
		KBR1200.24	REV

1			END	ISSUED FOR RELEASE
REV	DATE	BY	APP	
8				COMMENTS