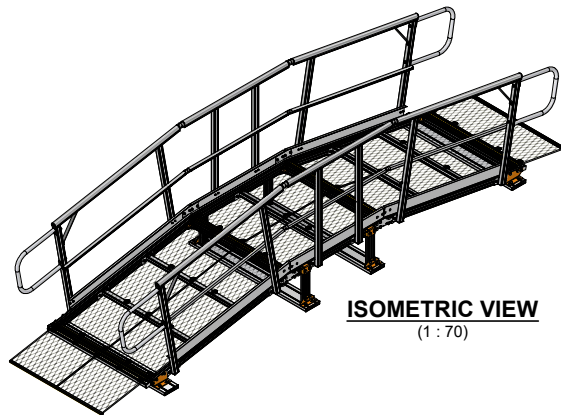
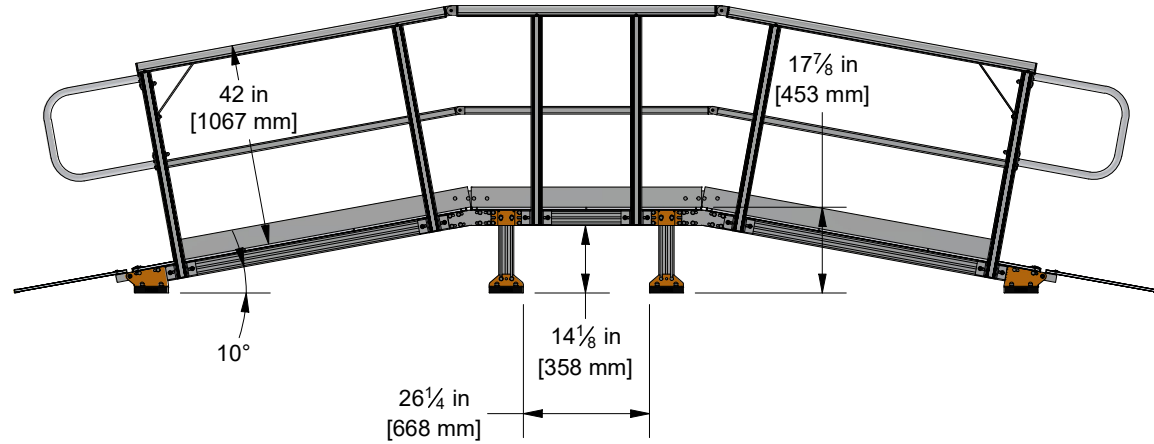
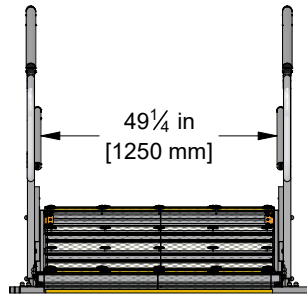
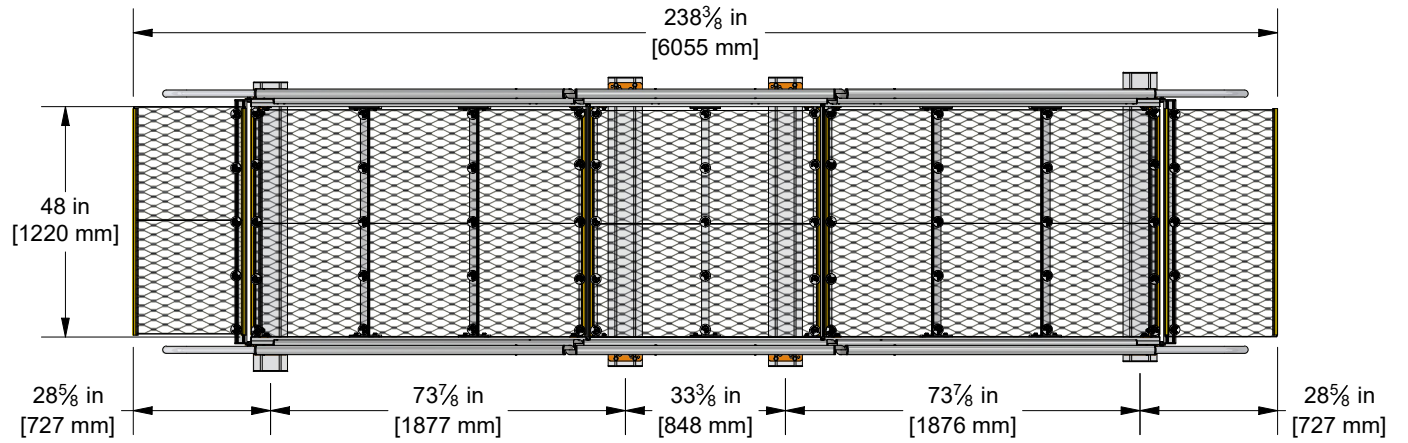


PROJECT REF: _____
 CONTRACTOR: _____
 APPROVED BY: _____
 SIGN HERE: _____



ISOMETRIC VIEW
(1 : 70)

Distributed by
CAI Safety Systems



DESCRIPTION KOMBI Crossover Ramp with Guardrail - to clear 24in W x 12in H		PRODUCT CODE KBR1200.12GR	1 : 40	PAGE 1 OF 1
MATERIAL Aluminum	FINISH Mill Finish	DRN: ALD	DATE: 12/1/23	SIZE: A
		DWG No. KBR1200.12GR		REV.

REV	DATE	BY	COMMENTS
8			
7			
6			